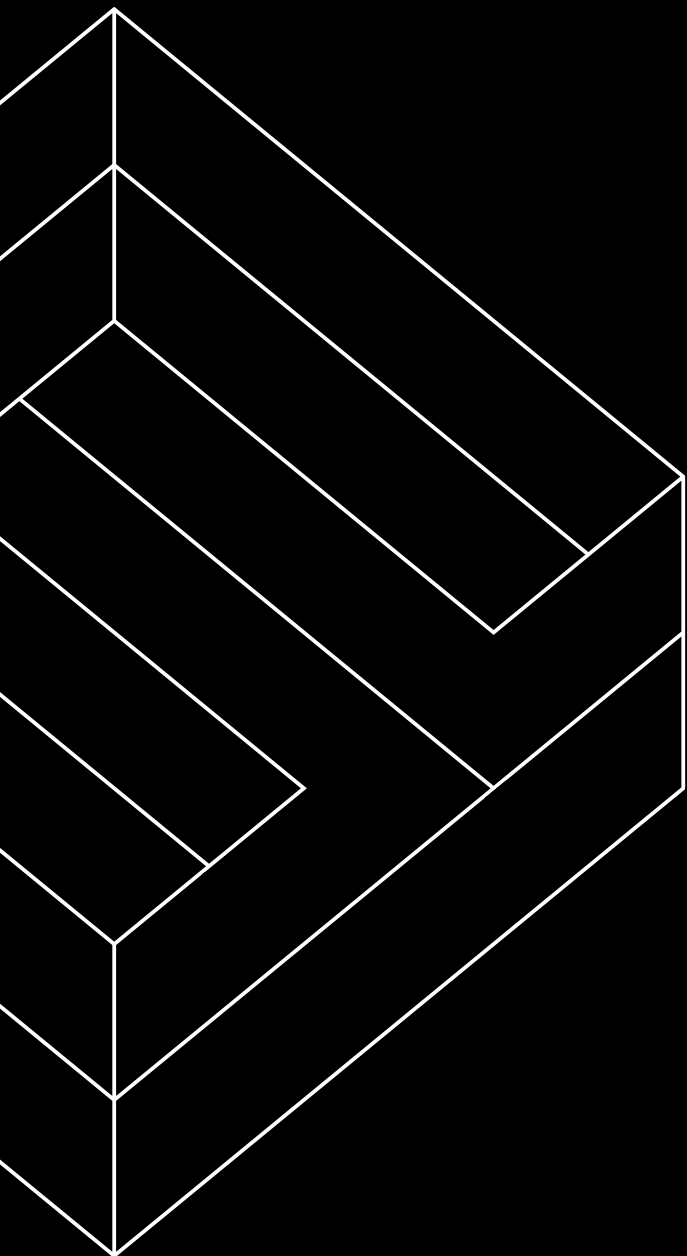


fabuwood®



CUSTOMIZATION
OPPORTUNITIES



ACCESSORIZE / CUSTOMIZE / PERSONALIZE

I N D E X

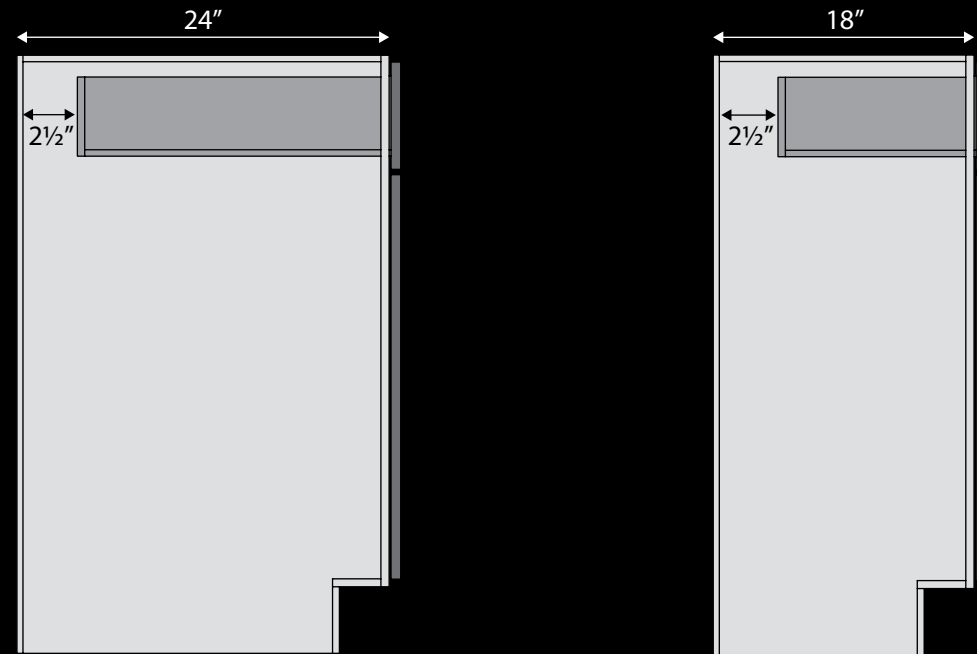
ANGLED FILLER	p24	CUT-WALL	p7
APPLIANCE CABINET	p22	CUT-WINE RACK/PLATE RACK	p27
ATTACH-TK	p35	DIAGONAL BASE WITH DRAWER.....	p26
BASE OPEN END	p19	DIAGONAL CORNER-PENINSULA	p40
BEADED BACK PANEL.....	p12	DOUBLE DOOR OPEN SHELF.....	p21
CHASE-BASE.....	p30	HALF SIZE	p11
CHASE-DBASE.....	p31	HAMPER	p38
CHASE-TALL	p32	INCREASE-WALL	p8
CHASE-WALL	p33	INSTALL-ACCES.....	p41
CLOSE-BLIND.....	p34	LIFT-UP FLAP.....	p15
COUNTERTOP APPLIANCE CABINET	p18	MATCH INTERIOR.....	p46
CREATE-BOX.....	p43	MICROWAVE BASE 24"	p48
CREATE-RETURN	p42	PENINSULA-CABINET.....	p39
CURIO CABINET.....	p23	RECESS-TK	p36
CUSTOM HOOD VALANCE	p47	REMOVE DRAWER.....	p29
CUT-BASE	p4	SINK BASE WITH BOTTOM DRAWER.....	p25
CUT-DBASE	p5	STACK-TWO CABINETS.....	p28
CUT-DOOR	p10	TRAY-DIVIDER	p45
CUT-HEIGHT OF BASE CABINET	p13	WALL OPEN END	p20
CUT-HEIGHT OF WALL CABINET	p14	WALL RETURN ANGLE	p16
CUT-ROD	p44	WINE CUBE.....	p17
CUT-SBASE	p6		
CUT-TALL	p9		
CUT-TK	p37		

Fabuwood modifications are sold assembled only, and cannot be purchased as KD (knock down) products, with the exceptions of OE1230, OE1236, and OE1242. Fabuwood specializes in semi custom cabinetry via MODIFICATIONS. Please review the following pages to view our illustrations and explanations to see Fabuwood's customization process. All modifications shown are done using stock doors of another size.

Custom size doors are available in limited styles. The following are only a basic overview of the modifications Fabuwood provides. For clients interested in custom work, we offer many more customizable options. To find out more, or to get a price quote, send your Fabuwood sales representative a detailed drawing.

C U T - B A S E

Reduce depth of base cabinet (min. depth 12")



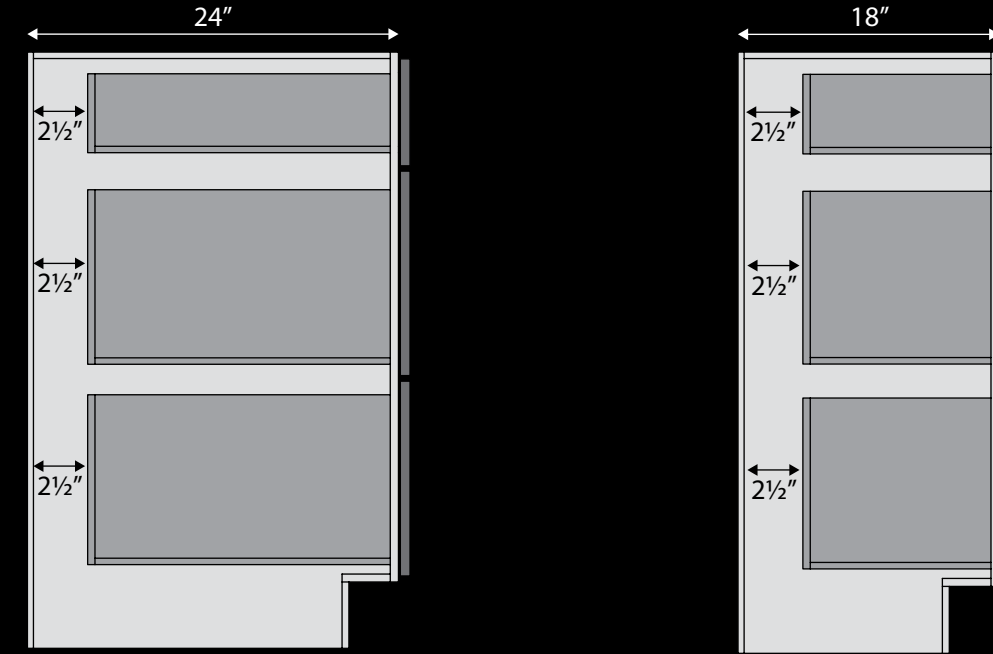
BEFORE → AFTER

The standard measurement for a Fabuwood base cabinet is 24" deep. Fabuwood will customize the cabinet depth per customer requirements. Generally, customizations are done in 3" increments, but can also be done to a custom size, such as 16", 17", or even 17 1/2" deep. Base cabinet must have a minimum depth of 12".

The drawer box will be cut to 3" less than the cabinet depth. For example, if base cabinet is cut to 18" deep, the drawer box and slides will measure 15" deep. To accommodate the drawer slides, the drawer box can only be cut in 3" increments.

C U T - D B A S E

Reduce depth of drawer base cabinet (min. depth 12")



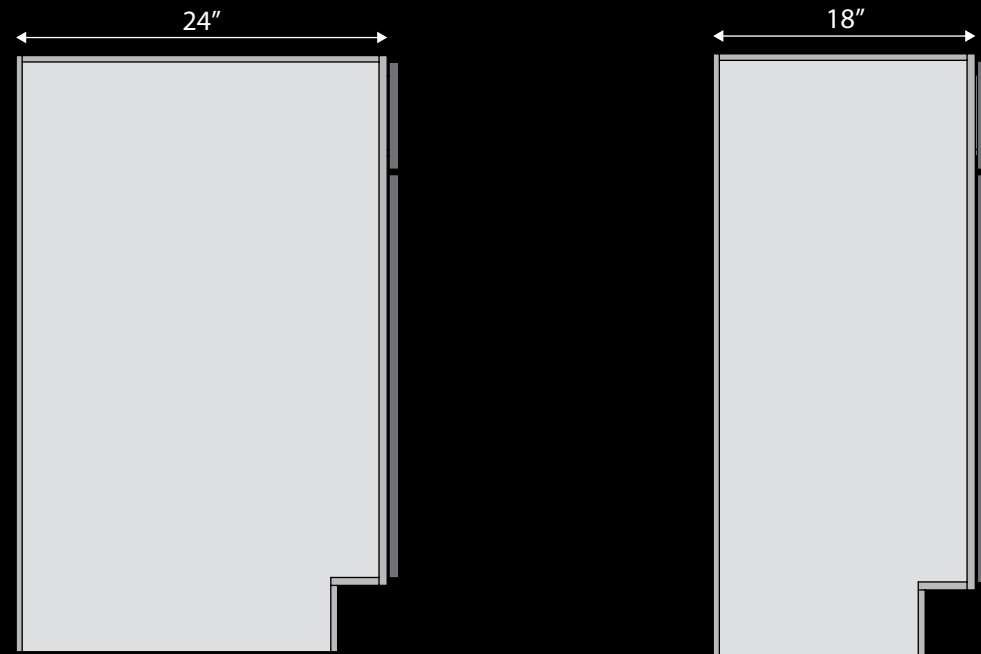
BEFORE → AFTER

As with a base cabinet, Fabuwood offers the option to cut the depth of a drawer base cabinet to customer specifications. The depth of all three drawer boxes will be cut

3" less than the cabinet box. For example: When a cabinet is cut to 18" deep the drawer boxes and slides will be 15" deep. The minimum depth of a drawer base cabinet must be 12".

CUT - S B A S E

Reduce depth of sink base cabinet (no min.)



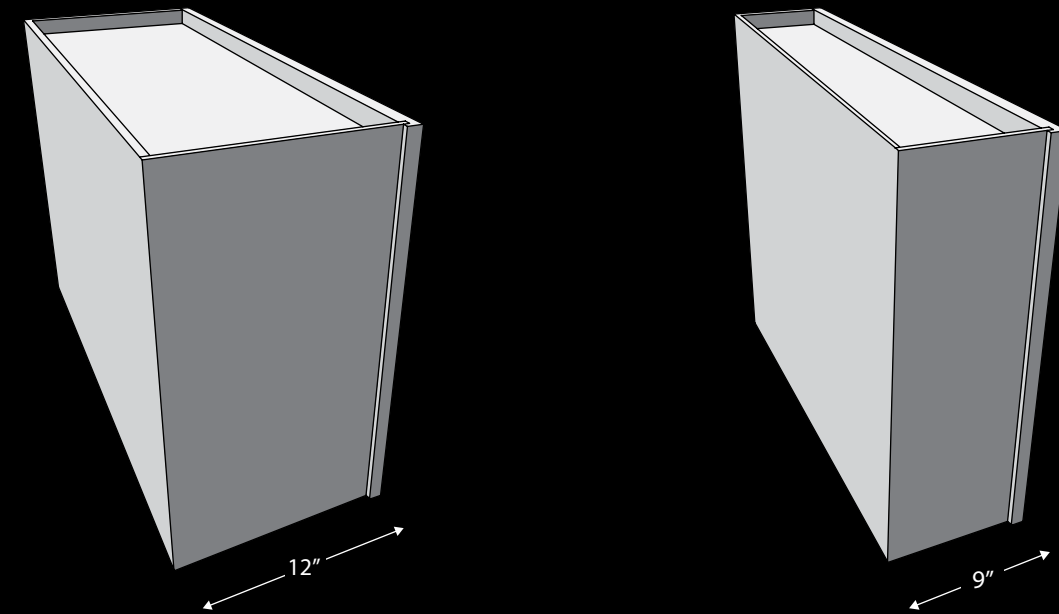
BEFORE → AFTER

As with cabinet base and drawer base, the standard sink base comes 24" deep. Fabuwood will modify the depth to customer specifications. Modifications are done in 3" increments but can also be done in custom sizes such as 16" and 17" deep.

Because there are no drawer slides to take into account, sink base cabinets can be cut to any depth with no minimum. Generally, customizations are done in 3" increments, but can also be done to a custom size, such as 16", 17", or even 17½" deep.

CUT - W A L L

Reduce depth of a wall cabinet (no min.)



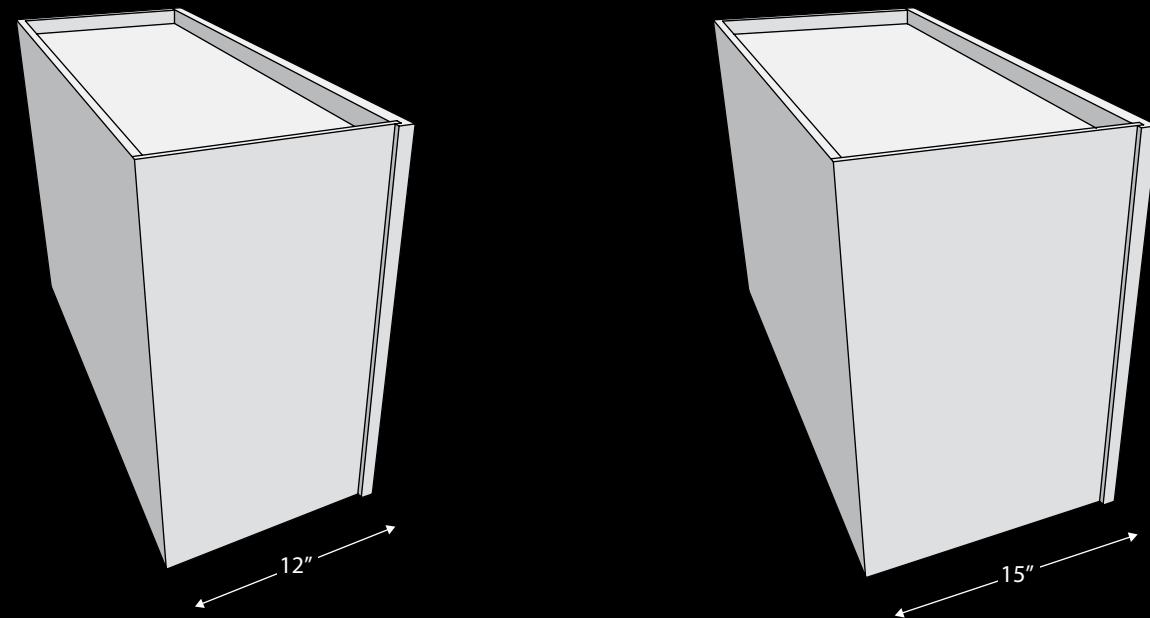
BEFORE → AFTER

Wall cabinets come standard at 12" deep, but can be customized to customer requirements. Generally, modifications will be made in 3" increments, but can also be cut to custom sizes

such as 4", 5", or even 5½" deep. Wall cabinets can be cut to any size, with a minimum depth of 3". Note: for a No Door wall cabinet, wood shelves will be provided instead of glass shelves.

I N C R E A S E - W A L L

*Increase depth
on wall cabinet*



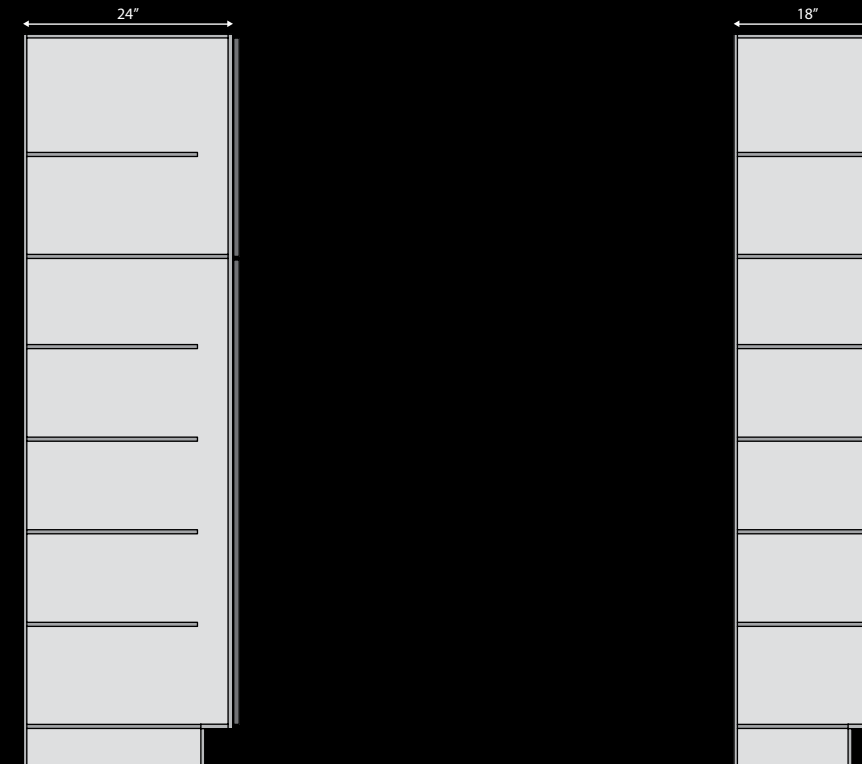
B E F O R E → A F T E R

Fabuwood's standard wall cabinet are 12" deep. Cabinet depth can be increased to any size.

Note: for a No Door wall cabinet, wood shelves will be provided instead of glass shelves.

C U T - T A L L

*Reduce depth of a tall
cabinet (no min.)*



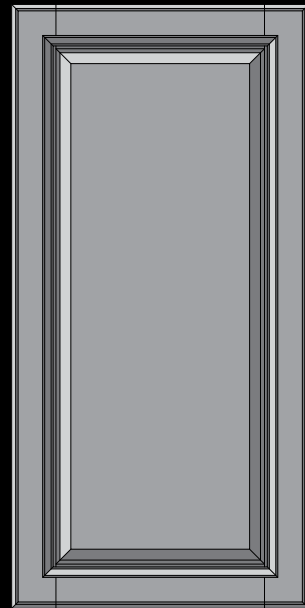
B E F O R E → A F T E R

Fabuwood offers the option of cutting the depth of a tall cabinet to customer specifications. Tall cabinets come standard at 24" deep, and can be cut to any depth with no minimum.

When cutting depth they will get Full Depth Shelf.

C U T - D O O R

*Cut out center panel of door
for glass insert (per door)*



B E F O R E

A F T E R

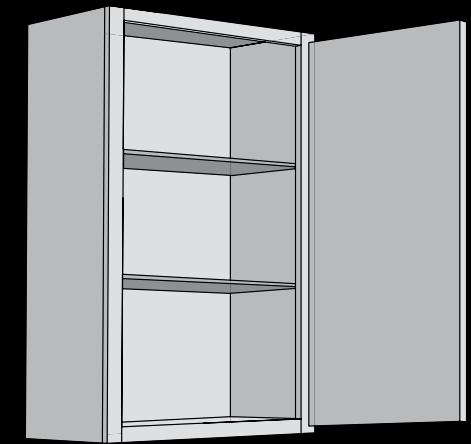
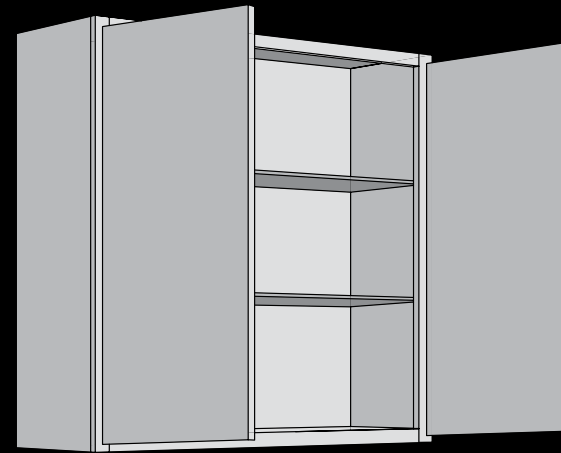
Center panels of doors can be cut out to prepare for glass inserts. Customization includes refinishing the cut edges to match the color of the door.

PLEASE NOTE: Fabuwood doesn't supply or offer any glass, or glass clips.

Fabuwood offers three different styles of glass doors. Please see the cabinet spec book for styles and sizes.

H A L F S I Z E

Reduce width of cabinet



B E F O R E

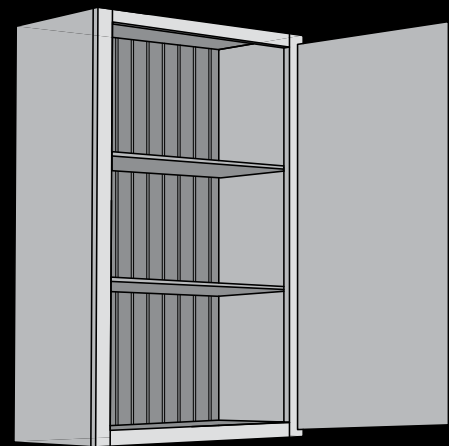
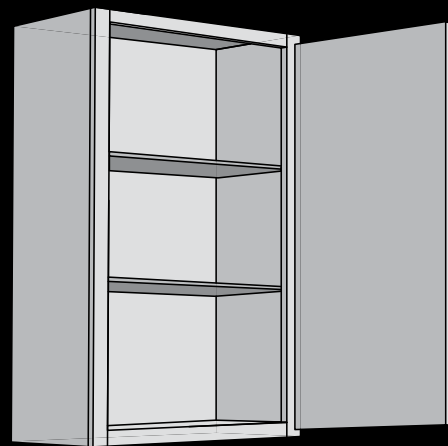
A F T E R

Cabinet can be cut to any size width custom doors will be ordered to accommodate size.

Cut width using door of cabinet. For example cutting a W2430 and still want to use 1 door the width should be 12 1/4" (so you have the 1/4" reveal on both sides)

BEADED
BACK PANEL

*Match interior with
beaded back panel*

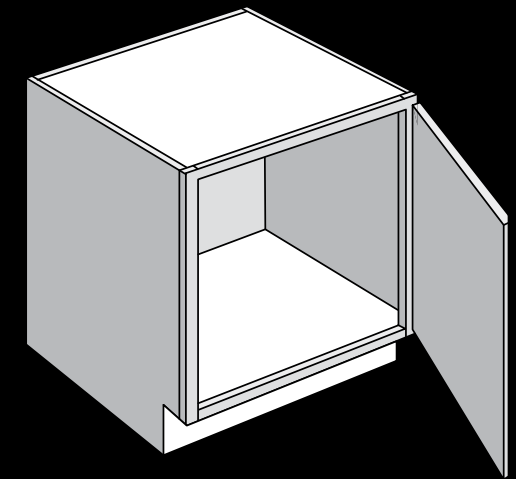
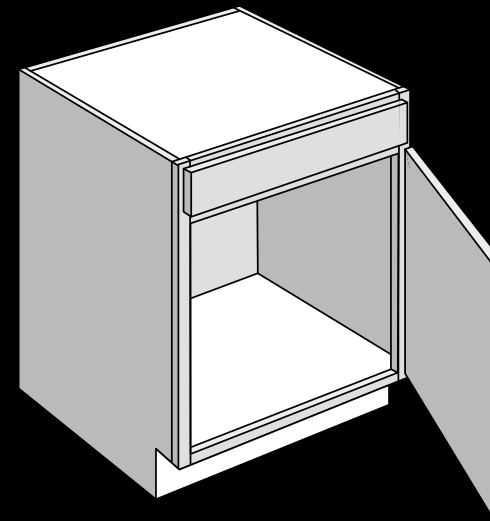


BEFORE → AFTER

Fabuwood can custom finish the interior to any custom color or change the back panel only to a beaded or a different color to give a nice contrast.

CUT-HEIGHT OF
BASE CABINET

*Reduce height
of base cabinet*



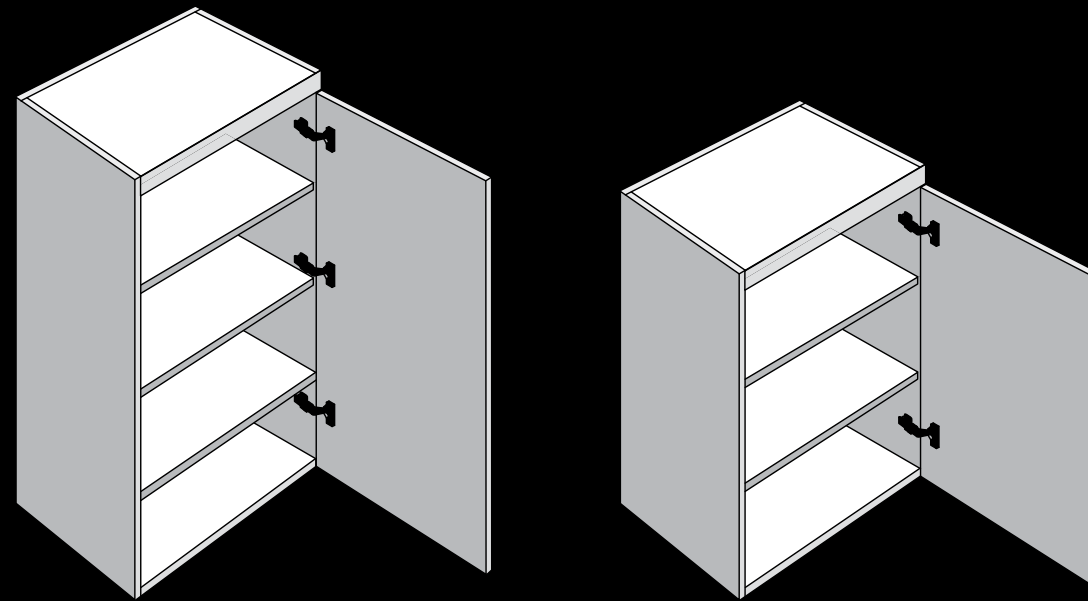
BEFORE → AFTER

Fabuwood can cut the height right above the door on a base cabinet and eliminate the drawer and above to feature a total height of:

- Classic - Allure 28-1/8"
 - Value - Quest 28-1/2"
 - Prima - Geneva 28-3/4"
- Note: Option to close top of cabinet is available.

CUT-HEIGHT OF
WALL CABINET

*Reduce height
of wall cabinet*

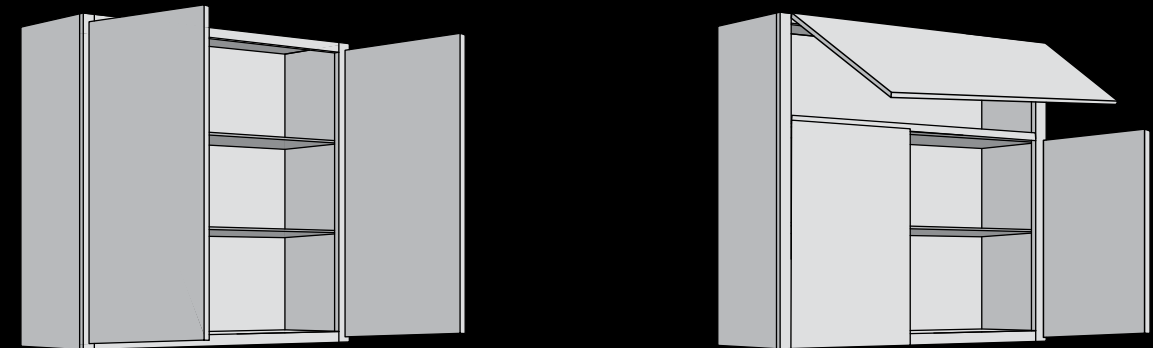


BEFORE → AFTER

Fabuwood can customize the height of a wall cabinet. Doors can either be used from another stock cabinet to fit the new size, doors can be made custom, or customer may choose to feature no door.

LIFT-UP FLAP

*Double door with
top door lift up*



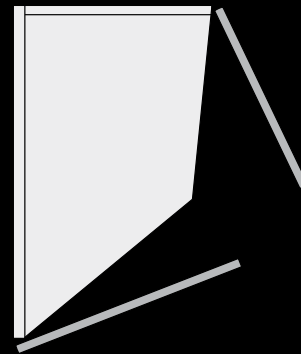
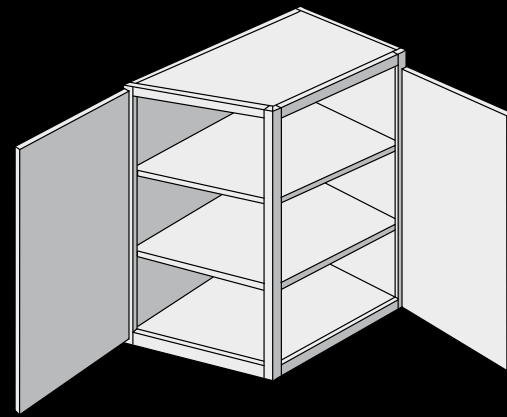
BEFORE → AFTER

Fabuwood can create a 1 pc unit, with a double door on the bottom. A fixed shelf is inserted with center filler, and a lift up door is installed on top.

Note: BLUM LIFT UP HINGES HK-XS available for an extra charge.

W A L L R E T U R N
A N G L E

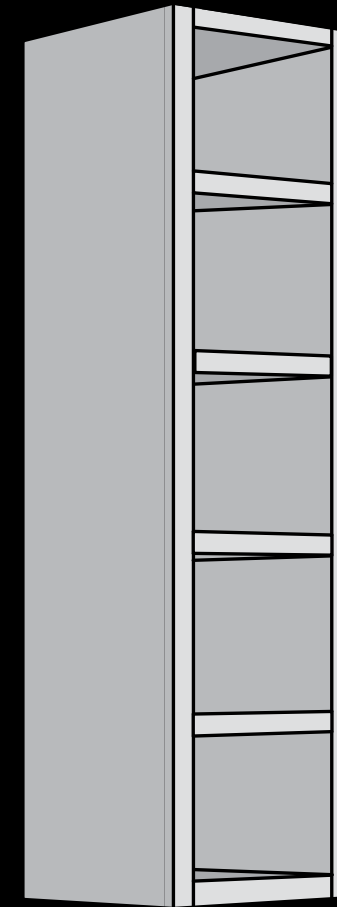
12" wall return angle



F R O N T V I E W → T O P V I E W

W I N E C U B E

*Pigeonhole organizer
or wine cube*



Fabuwood can create a BTR or BTL look with an opening on both sides..

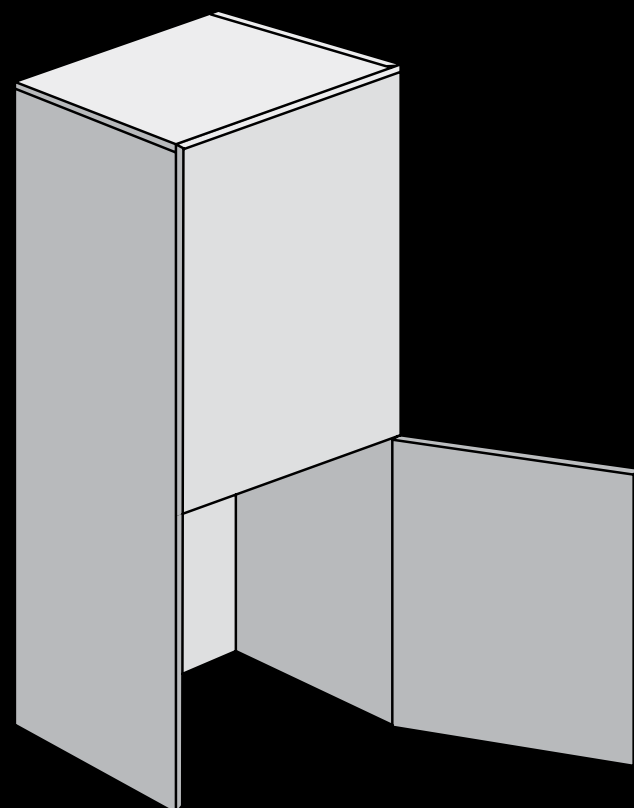
This is created with a WAE1230 and a W1230 combined and added TK.

Fabuwood can create any size pigeonhole wine cubes. It will be created with 3/4" plywood.

Note: Customer must provide drawing.

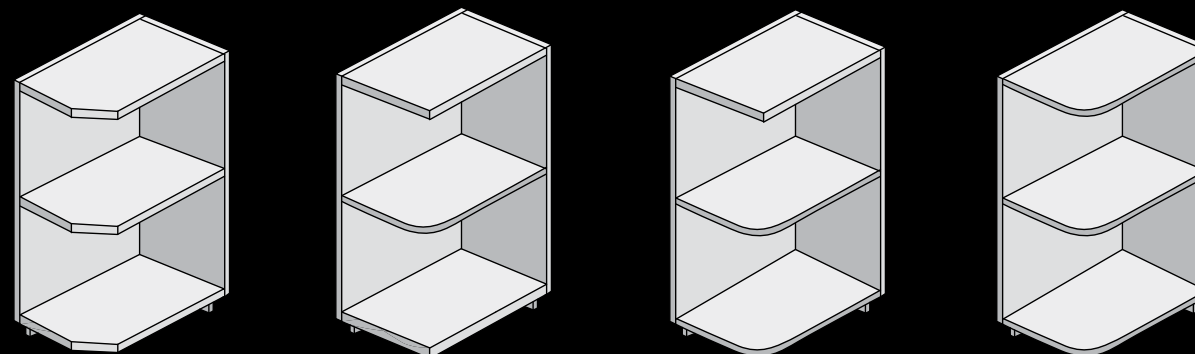
COUNTERTOP
APPLIANCE
CABINET

Custom cabinet



BASE OPEN END

*Custom size base
open end cabinet*



Fabuwood can create appliance cabinets with options.

*No Bottom Floors

*Appliance lit up door

Doors can be used from stock, from another cabinet that will fit new size, custom doors, or no door.

Note: Customer must provide drawing.

Create a custom size base open end cabinet.

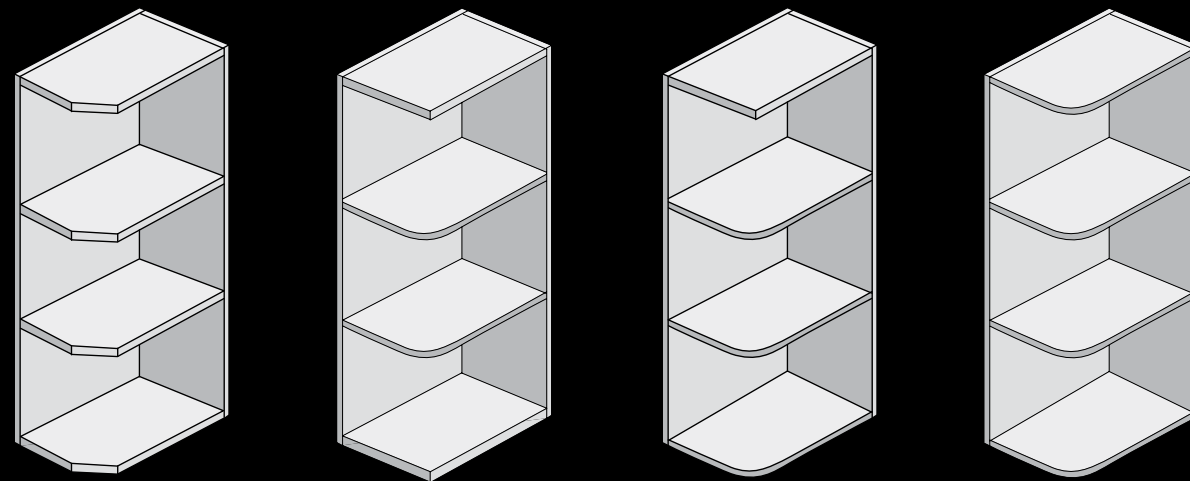
The shelves can be done as-square, clipped or round.

Note: Customer must provide drawing.

Customer will also need to specify type of toe kick; square or clipped.

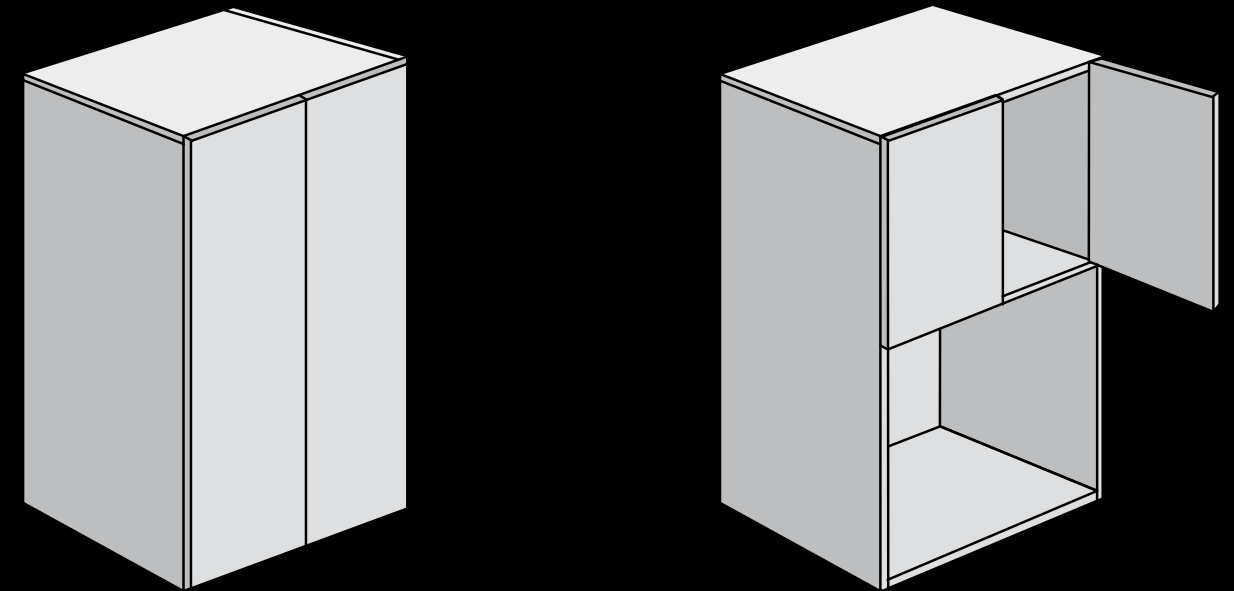
W A L L O P E N E N D

*Custom size wall
open end cabinet*



D O U B L E D O O R
O P E N S H E L F

*Create open shelf
on part of cabinet.*



B E F O R E → A F T E R

Fabuwood can create a custom size wall open end cabinet.
The Shelves can be done as square, clipped or round.

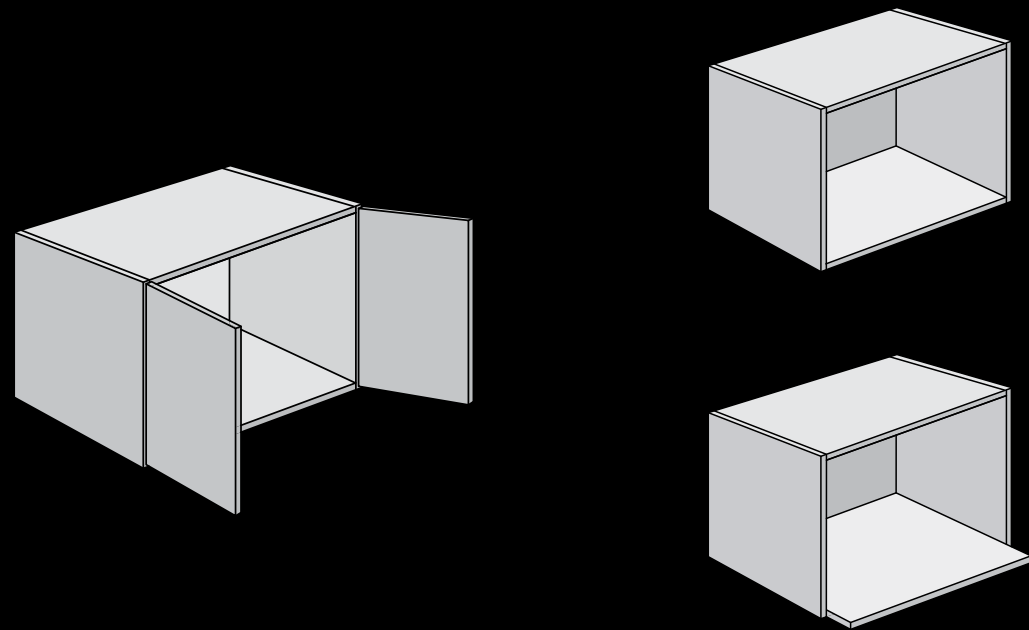
Note: Customer must provide drawing.

Create a 1 pc unit, featuring a double door at the top. A fixed shelf with center filler is inserted, and bottom of cabinet remains open.

Note: Customer must provide drawing.
Matching interior is charged separately.

A P P L I A N C E
C A B I N E T

*Create an appliance
wall cabinet*



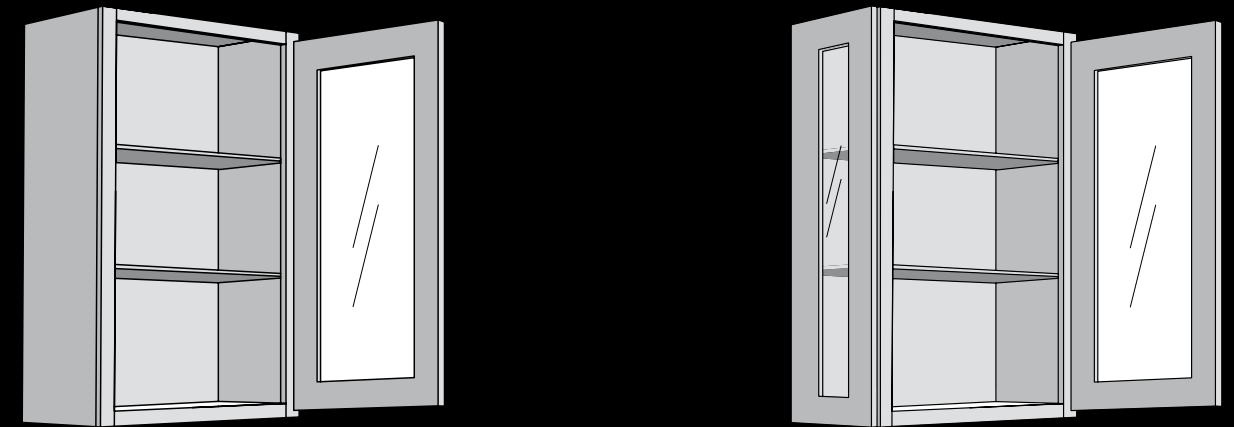
B E F O R E → A F T E R

Fabuwood can remove the doors of a wall cabinet and match interior finish. The customer has the option of adding a bump out shelf with one of the following corners:

- Square
- Round
- Clipped

C U R I O C A B I N E T

Glass door curio cabinet



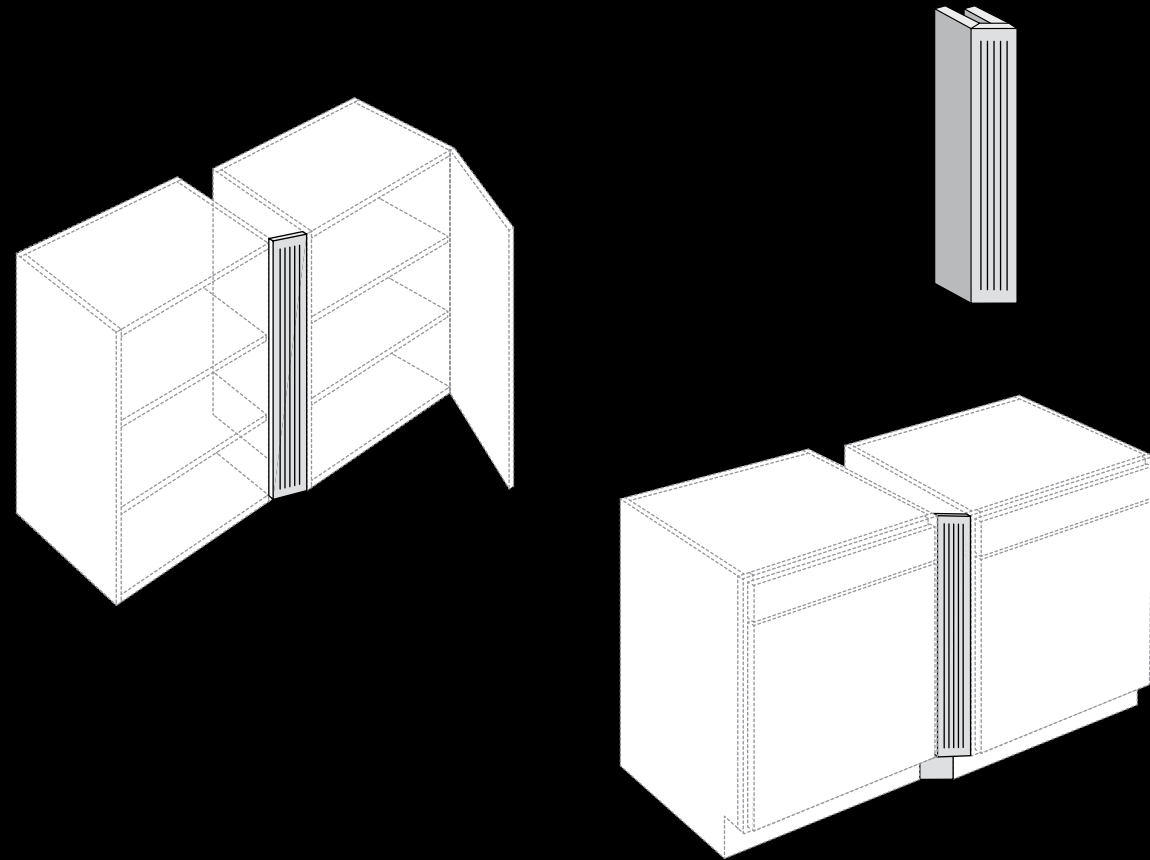
B E F O R E → A F T E R

Fabuwood can create a curio glass cabinet with a side wall cutout for glass. Glass doors will be shipped separate to install on the job side.

PLEASE NOTE: Fabuwood does not supply glass shelves when creating from a wall cabinet. If creating from a NDW the glass shelves will fit

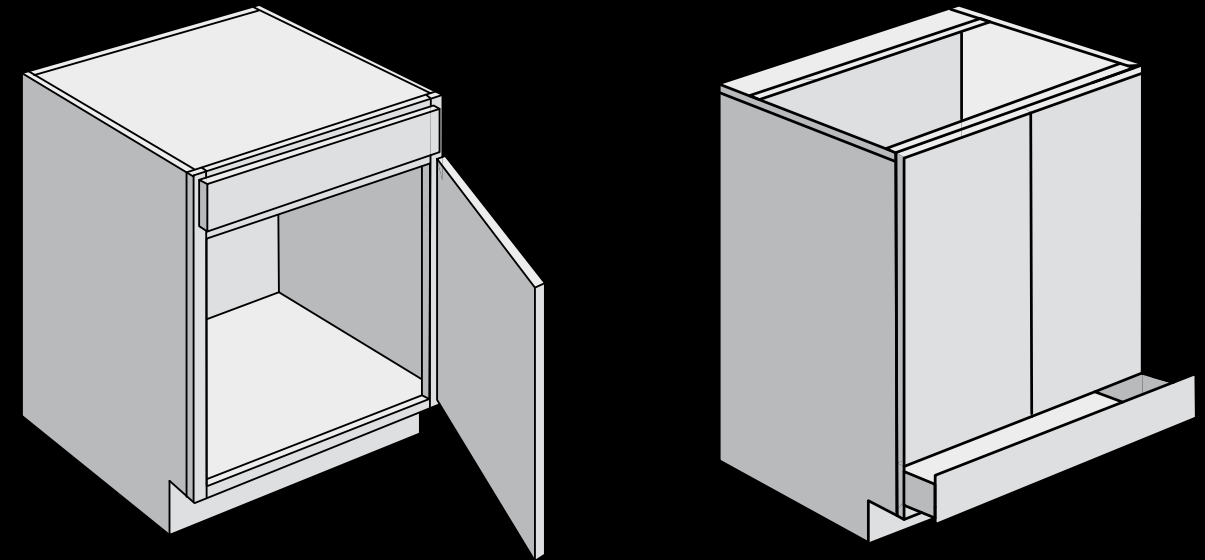
A N G L E D F I L L E R

Create an angled filler



S I N K B A S E W I T H
B O T T O M D R A W E R

Modify a base cabinet to create sink base with drawer on bottom.



B E F O R E → A F T E R

Fabuwood can create angled fillers, angled fluted fillers and angled overlay fillers.

Note: Customer must provide drawing.

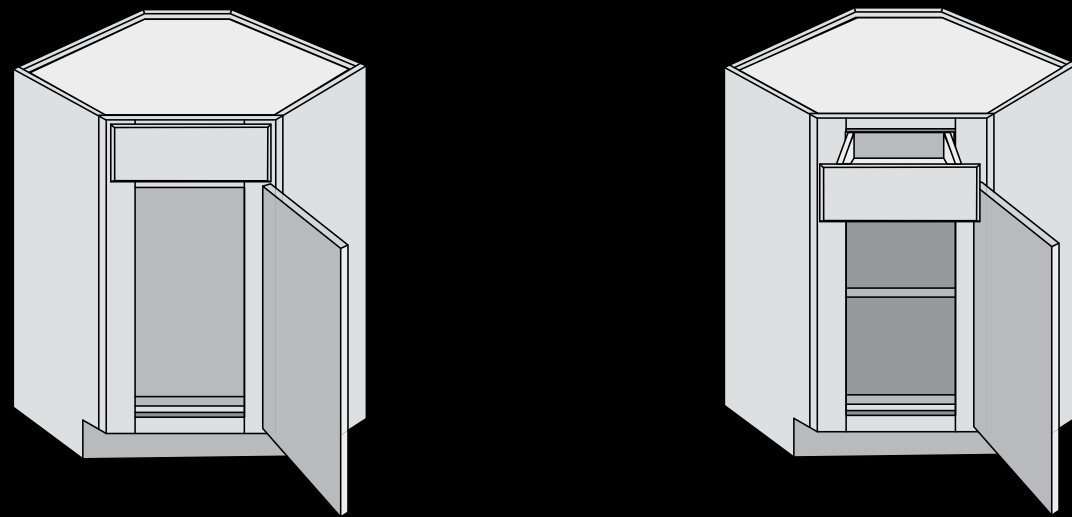
Using a standard base cabinet, Fabuwood can create a base cabinet featuring a door at the top and a drawer on the bottom. A fixed shelf with front rail is also inserted above drawer.

To vary the vanity depth, an additional cut-base charge will apply.

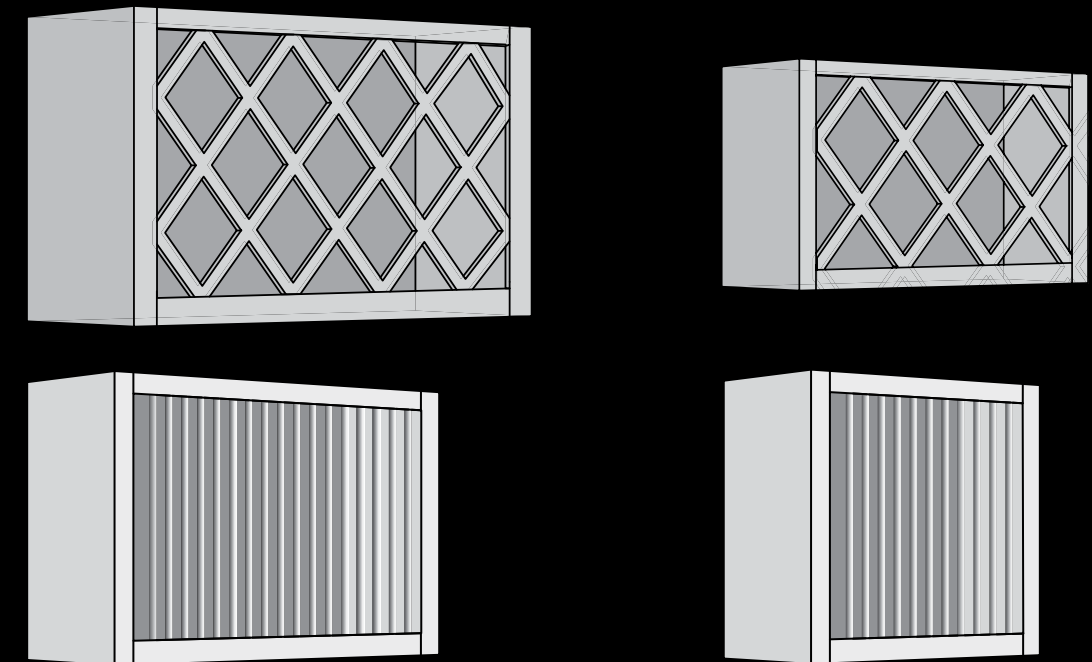
DIAGONAL BASE
WITH DRAWER

Diagonal Corner base

CUT - WINE RACK /
PLATE RACK



BEFORE → AFTER



BEFORE → AFTER

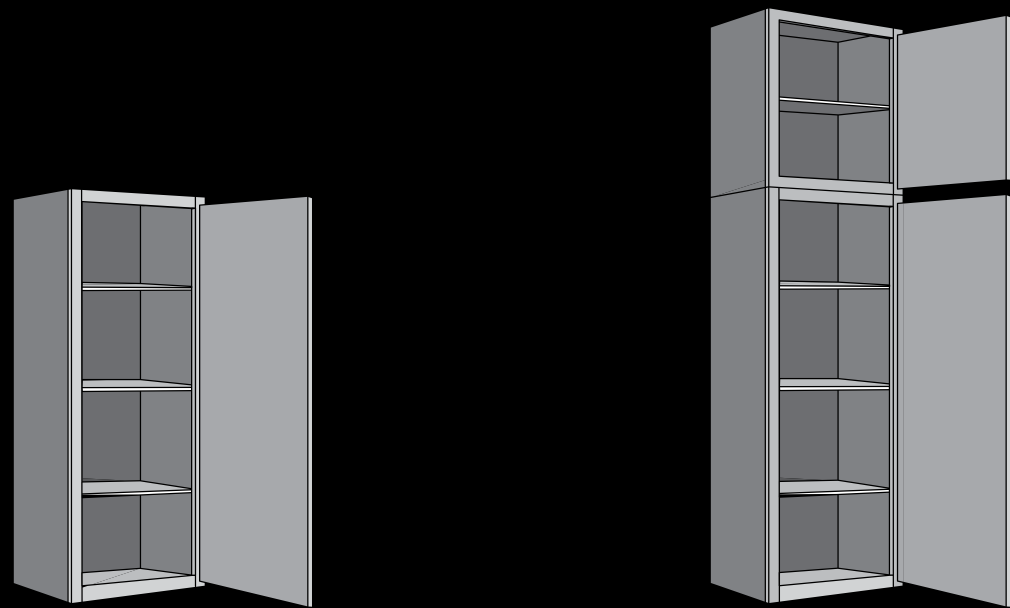
Modify a diagonal corner sink base cabinet to a base with an operating drawer.
Add a full depth adjustable shelf into a diagonal sink base.

Fabuwood can reduce the width and the height on a wine rack.
Classic and Value can be cut to any size but the wine slots might not be the same.
Allure can be cut in 6" increments

NOTE: Plate racks can only be cut in the width (not height).

STACK - TWO
CABINETS

*Stack two cabinets to
create one high cabinet*



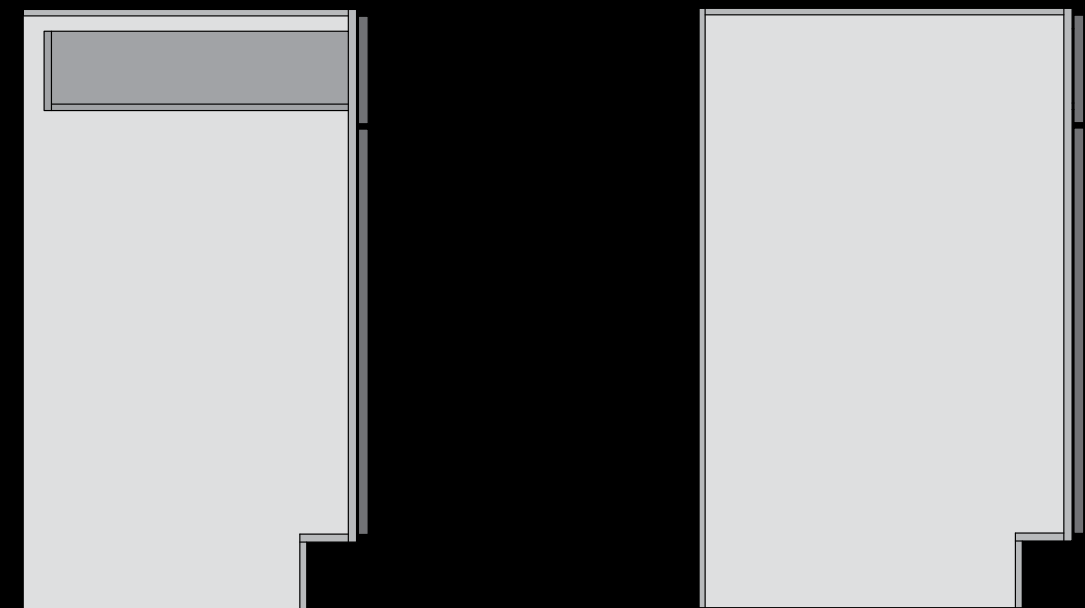
BEFORE → AFTER

Fabuwood can stack two wall cabinets and attach to form a single tall cabinet.

Note: Finished and/or flush sides will incur a separate fee and the standard modification comes with a seam. Seamless sides will incur a separate fee.

REMOVE DRAWER

Create sink base cabinet



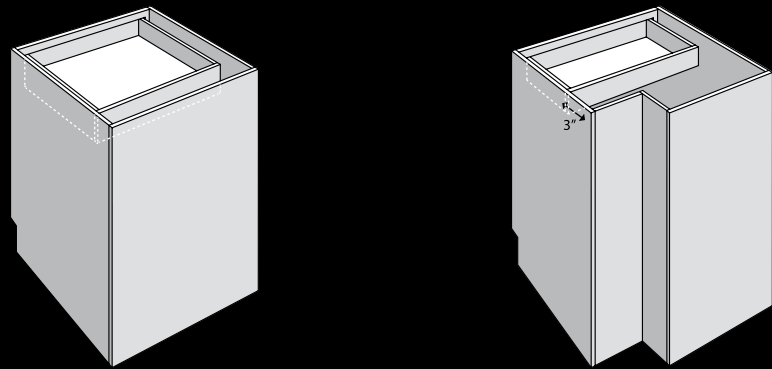
BEFORE → AFTER

To turn a base cabinet into a sink base, Fabuwood starts by removing the drawer box and slides of a standard base. The drawer front is then attached to the frame as a false drawer front.

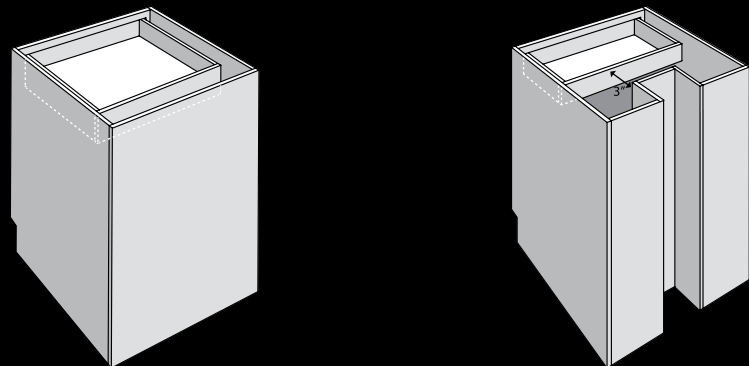
C H A S E - B A S E

Create a chase in a base cabinet

OPTION 1



OPTION 2



BEFORE → AFTER

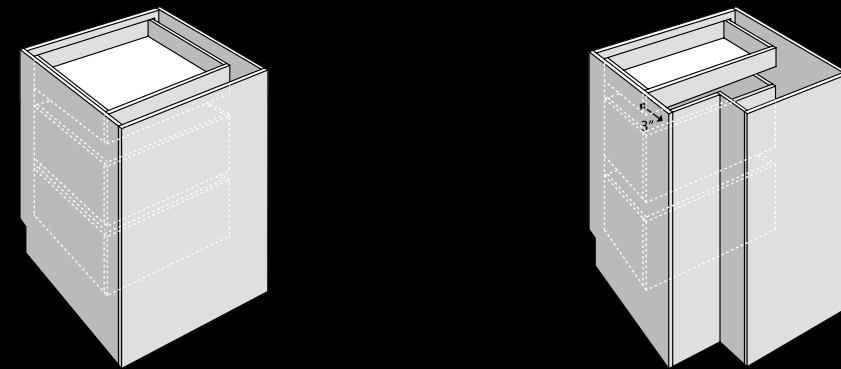
Option #1: 2-sided chase
A chase is cut out of the cabinet and the opening is covered. The shelf around the chase is cut and the drawer depth is reduced until they are 3" from the chase.
Note: customer must provide drawing.

Option #2: 3-sided chase
A vertical chase is cut and the opening is covered. The shelf around the chase is cut and the drawer depth is reduced until they are 3" from the chase.
Note: Customer must provide drawing.

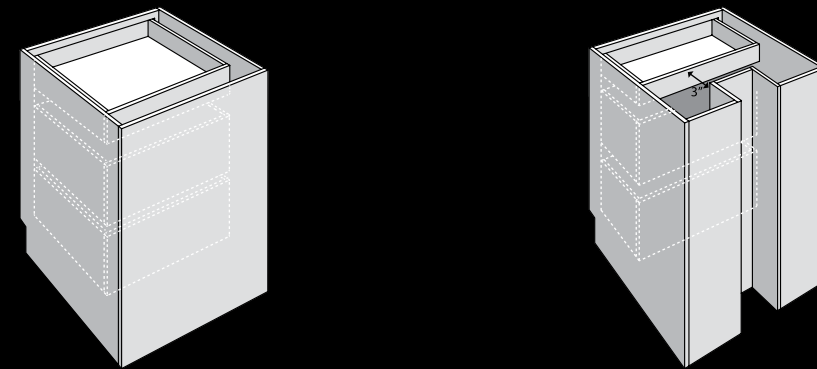
C H A S E - D B A S E

Create a chase in a drawer cabinet

OPTION 1



OPTION 2



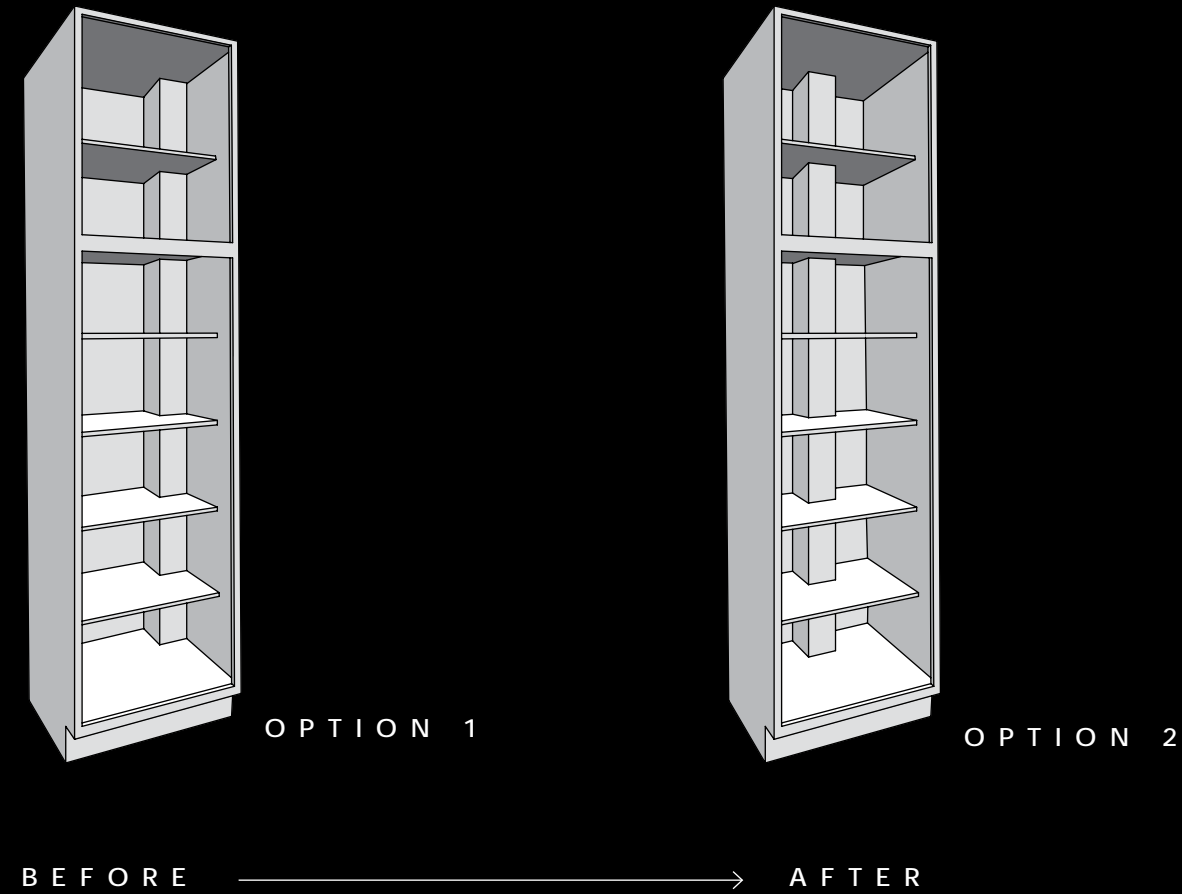
BEFORE → AFTER

Option #1: 2-sided chase
A chase is cut in the cabinet and the opening is covered. Drawer depth is reduced until it is 3" from the chase.
Note: customer must provide drawing.

Option #2: 3-sided chase
A vertical chase is cut and the opening is covered. Depth of drawer is reduced until it is 3" from the chase.
Note: Customer must provide drawing.

C H A S E - T A L L

Create a chase in a tall cabinet

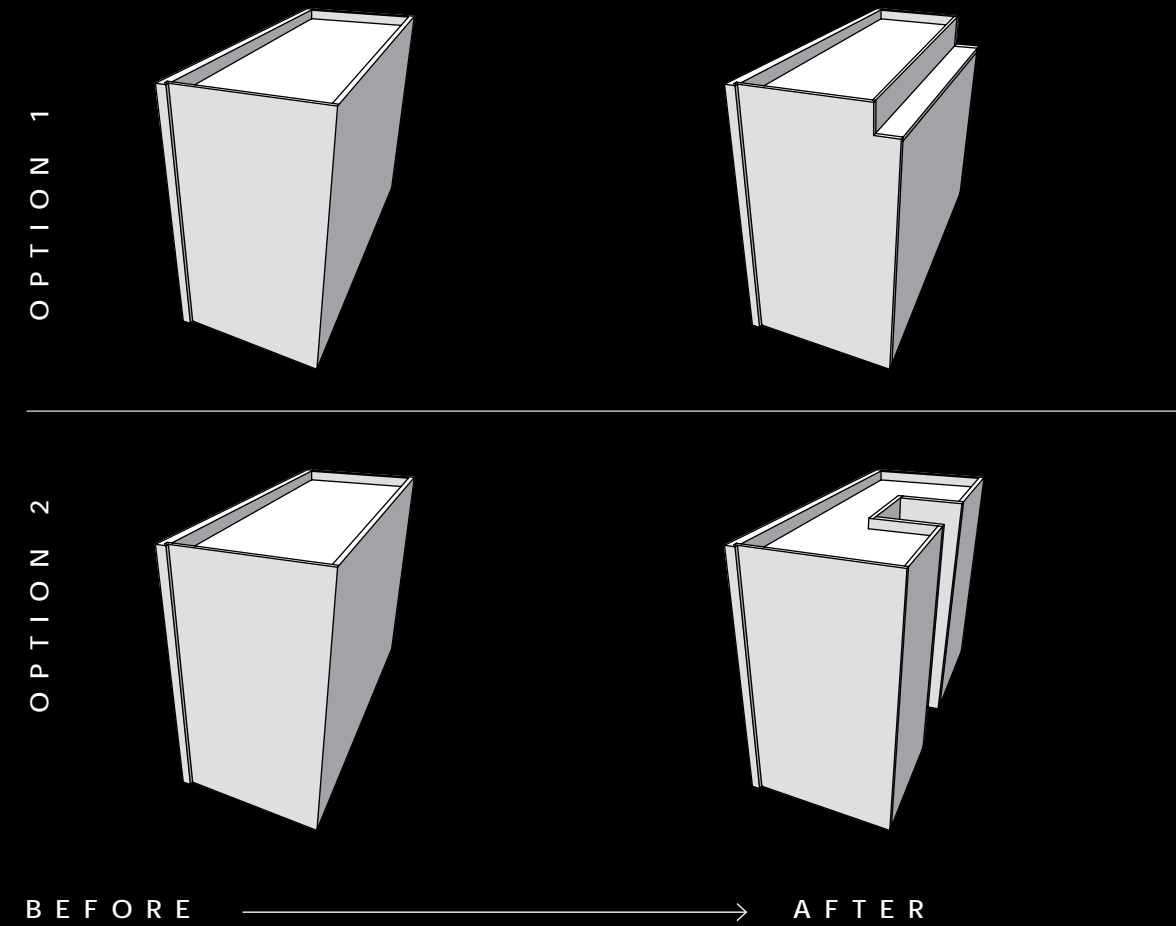


Option #1: 2-sided chase
 Cut out a chase in the cabinet and cover the opening. Cut the shelf/shelves around the chase.
 Note: customer must provide drawing.

Option #2: 3-sided chase
 Cut out a vertical chase and cover the opening. Cut the shelf/shelves around the chase.
 Note: Customer must provide drawing.

C H A S E - W A L L

Create a chase in a wall cabinet

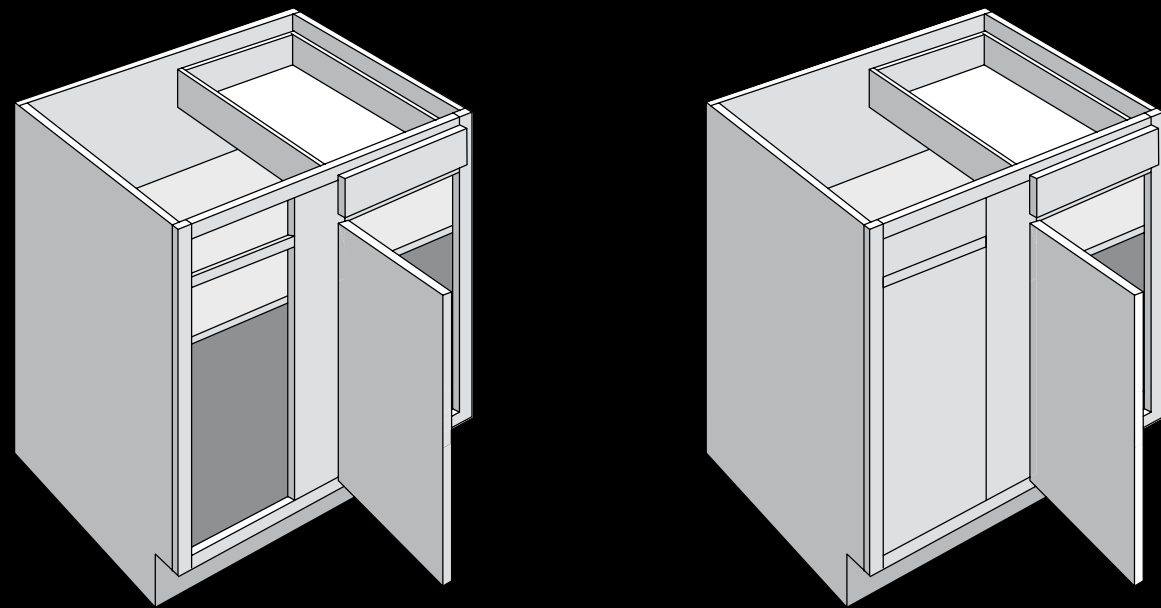


Option #1: 2-sided chase
 Cut out either a vertical or horizontal chase and cover the opening. Cut the shelf/shelves around the chase.
 Note: customer must provide drawing.

Option #2: 3-sided chase
 Cut out a vertical chase and cover the opening. Cut the shelf/shelves around the chase.
 Note: Customer must provide drawing.

C L O S E - B L I N D

Close the open section of a blind wall or base cabinet



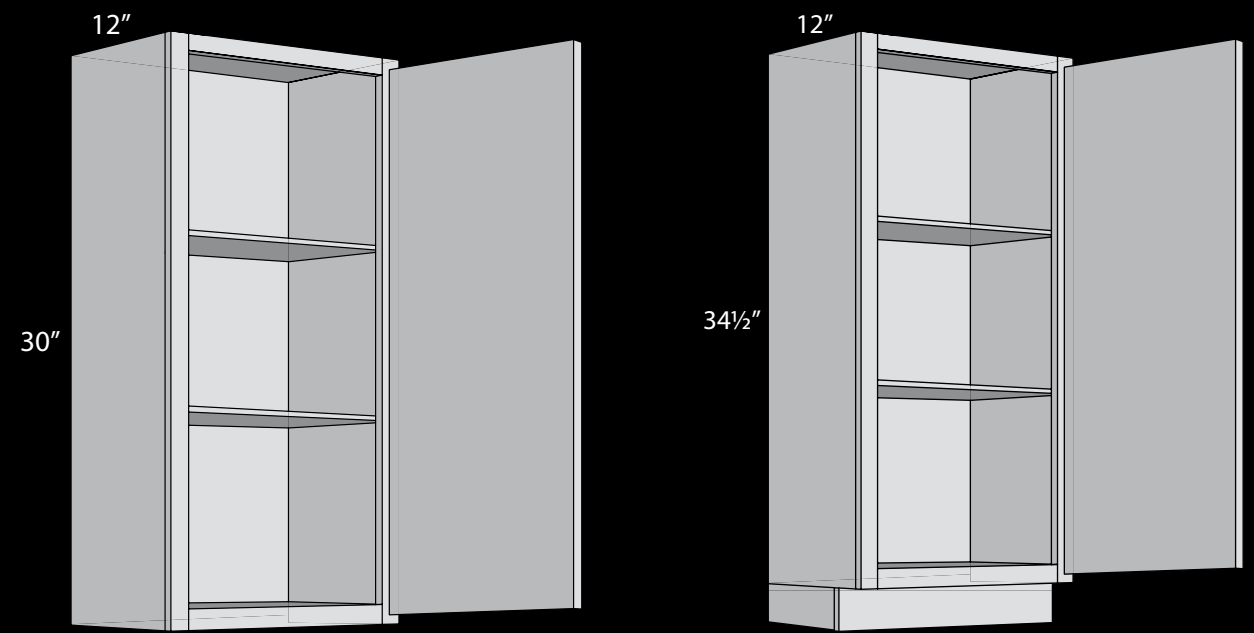
B E F O R E → A F T E R

Fabuwood can close the open section of a blind wall or base cabinet, by adding a 1/4" plywood on the inside of the frame.

Note: Fabuwood can order and install any accessory for a blind base, customer must provide the model#

A T T A C H - T K

Attach toe-kick on a wall cabinet



B E F O R E → A F T E R

Fabuwood can turn a wall cabinet into a base cabinet, by applying a toe-kick to the bottom of the cabinet.

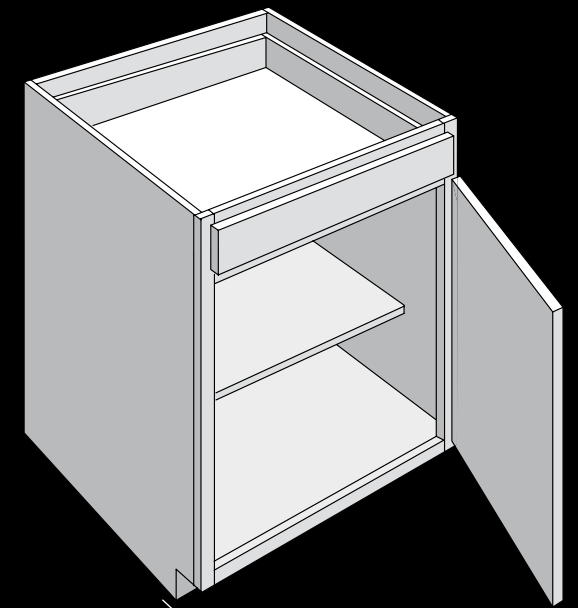
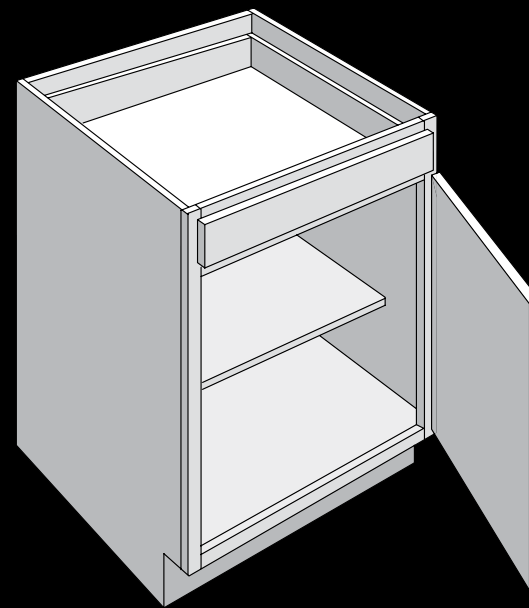
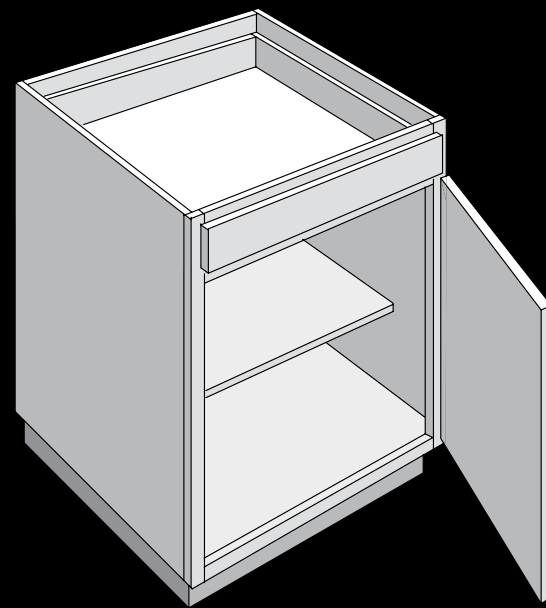
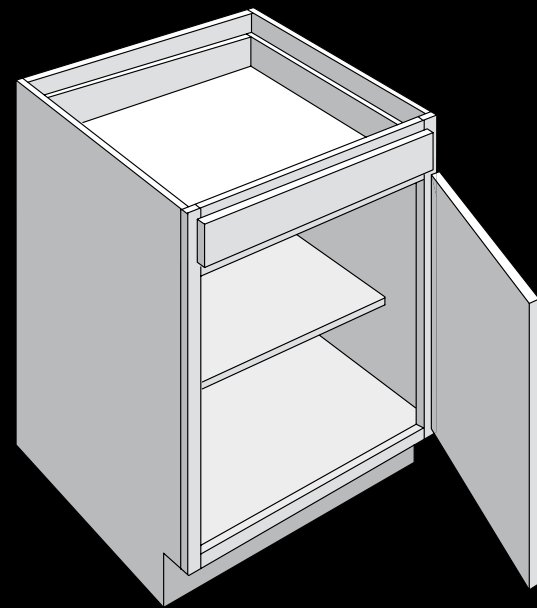
Note: Option attached toe kick with no seam is available.

R E C E S S - T K

*Recess toe-kick of base cabinet
(customer must provide drawing)*

C U T - T K

*Reduce toe kick
height (no min.)*



B E F O R E \longrightarrow A F T E R

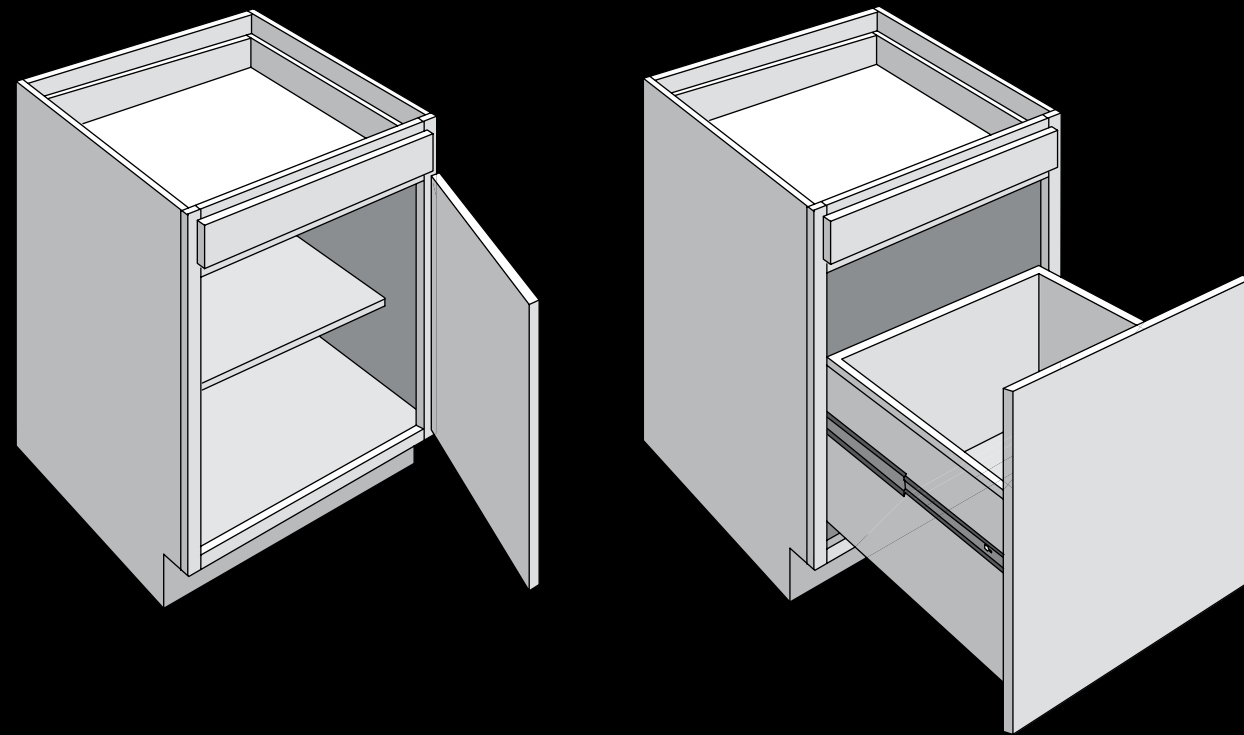
B E F O R E \longrightarrow A F T E R

Recess the right, left or back toe-kick of a base cabinet. The customer needs to specify which side toe-kick he would like to have modified; right, left, or both.

Fabuwood can reduce the height of the toe kick to customer specifications or remove the toe kick entirely.

H A M P E R

Install door mounted pull out wood hamper in cabinet



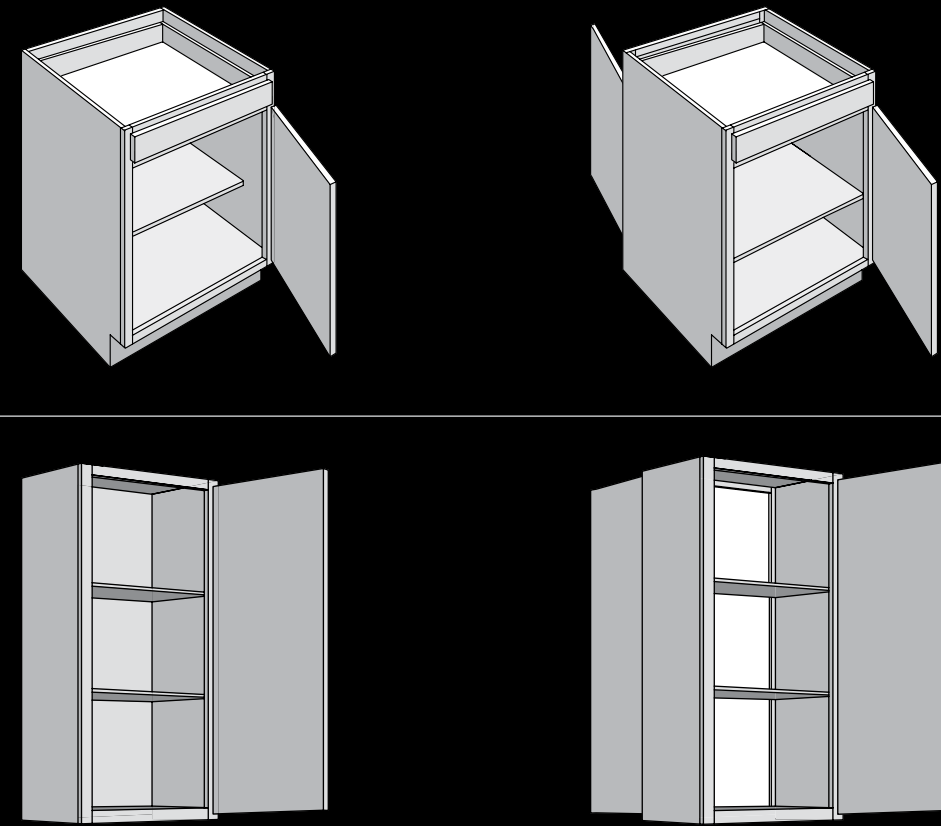
BEFORE → AFTER

To create a hamper cabinet from a base cabinet, a door-mounted wood hamper is attached using side-mounted ball-bearing slides. Hamper is 18" high.

P E N I N S U L A -
C A B I N E T

Create a peninsula cabinet from two cabinets (cabinets not included)

B A S E P E N I N S U L A
W A L L P E N I N S U L A



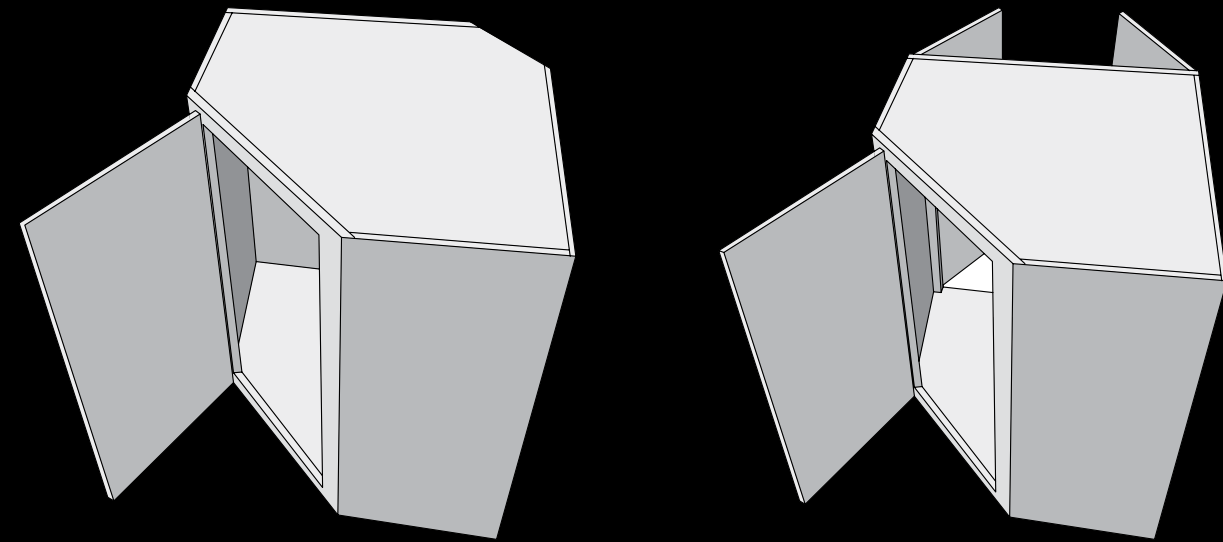
BEFORE → AFTER

A peninsula cabinet can be created from two wall cabinets or two standard base cabinets. Fabuwood will create a peninsula to any cabinets as long the peninsula side frame is the same size. on the peninsula side if it's a full height door there will be a 7" apron to cover the drawer box..

Note: For a no door wall cabinet peninsula, wood shelves will be provided instead of glass shelves.

DIAGONAL
CORNER -
PENINSULA

*Create a corner peninsula
cabinet from two cabinets
(cabinets not included)*



BEFORE → AFTER

INSTALL - ACCESS

*Professionally install cabinet
accessories. (Accessories not included)*



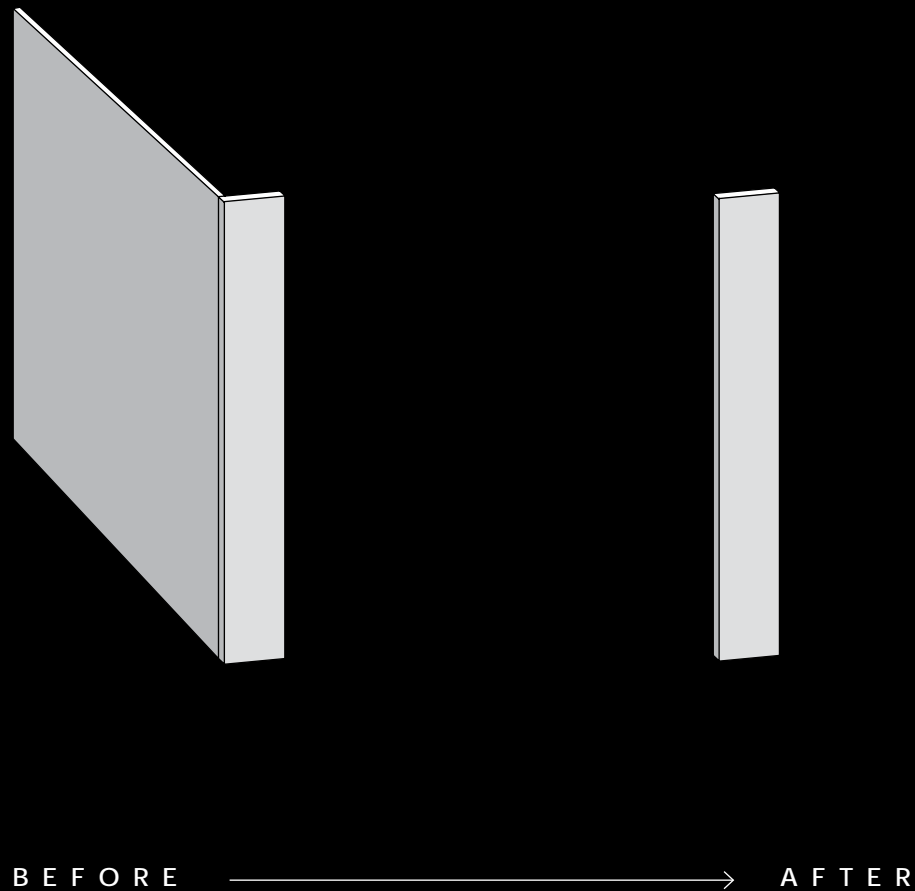
Fabuwood can create a Peninsula corner wall as long as the frame is the same size. For example a WDC or WPC2436 we will use a W2436 as the peninsula side cabinet.

Note: For a no door wall cabinet peninsula, wood shelves will be provided instead of glass shelves.

Fabuwood will purchase and install any accessory customer would like to have installed. Customer must provide model#

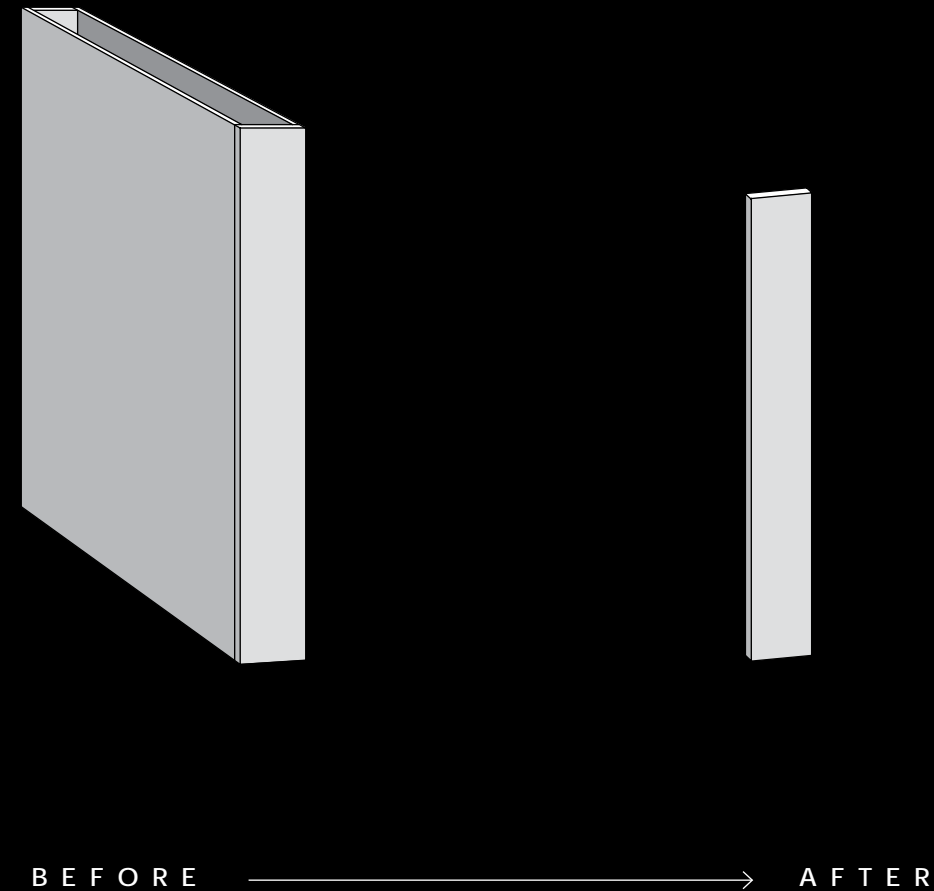
CREATE - RETURN

Create a return on a base or wall filler



CREATE - COLUMN

Create a custom size column



Custom size return panel for base-wall or tall
 Wall Return: Up to 15" deep
 Base Return: Up to 30" deep
 Tall return: Up to 30" deep

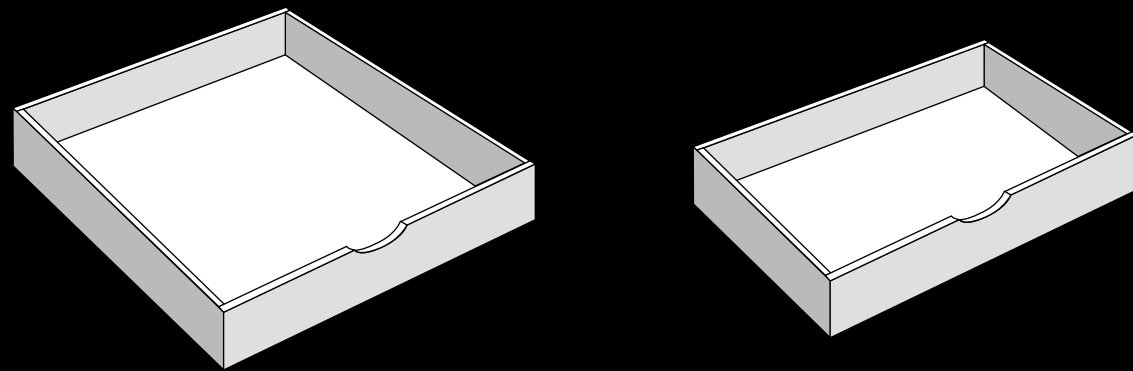
*Any other custom sizes is available.

Create custom column
 Wall Column: Up to 15" deep
 Base column: up to 30" deep

*Sides are flushed.
 Any other custom sizes is available.

C U T - R O D

*Reduce depth
of a roll-out drawer*



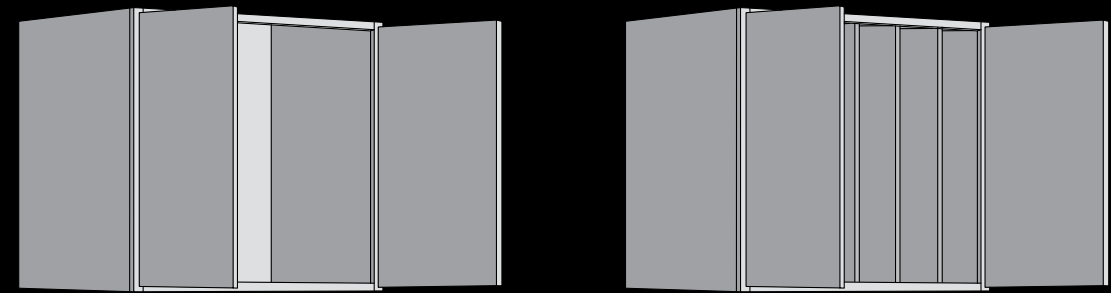
B E F O R E → A F T E R

Reduce the depth of a roll out drawer when a cabinet is less than 24" deep.

*Note that with this modification the back is no longer dovetail for both roll outs and doors.

T R A Y - D I V I D E R

*Insert tray divider
in a cabinet.*

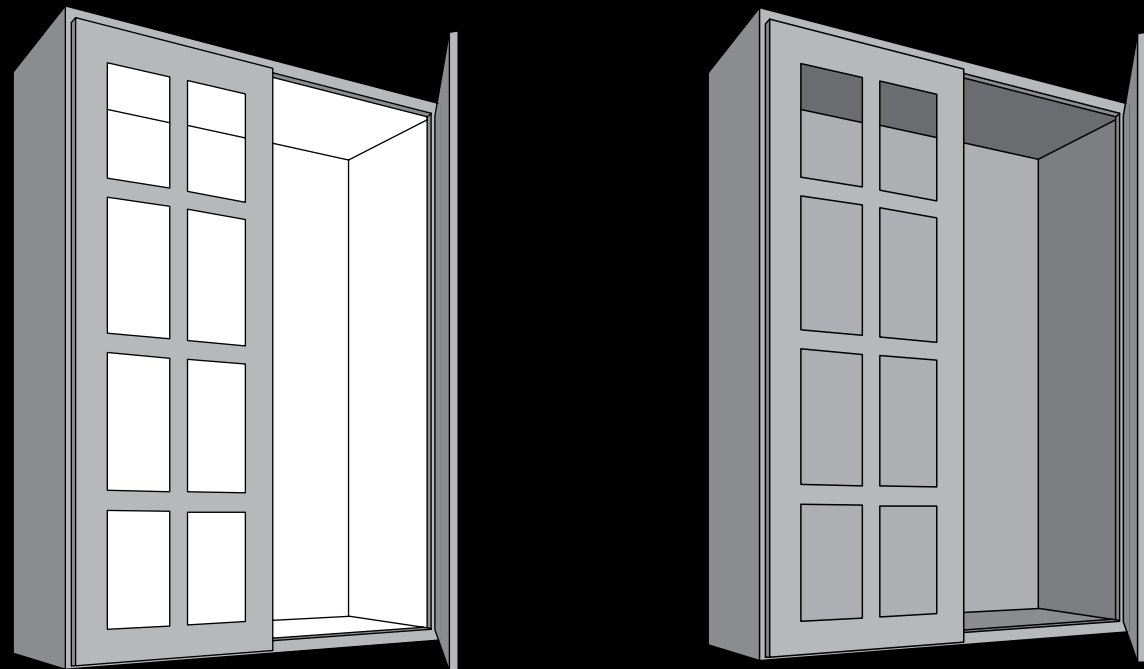


B E F O R E → A F T E R

Shelves of a base or wall cabinet can be removed and tray dividers installed in their place.

MATCH INTERIOR

Paint / Stain interior of cabinet to match exterior

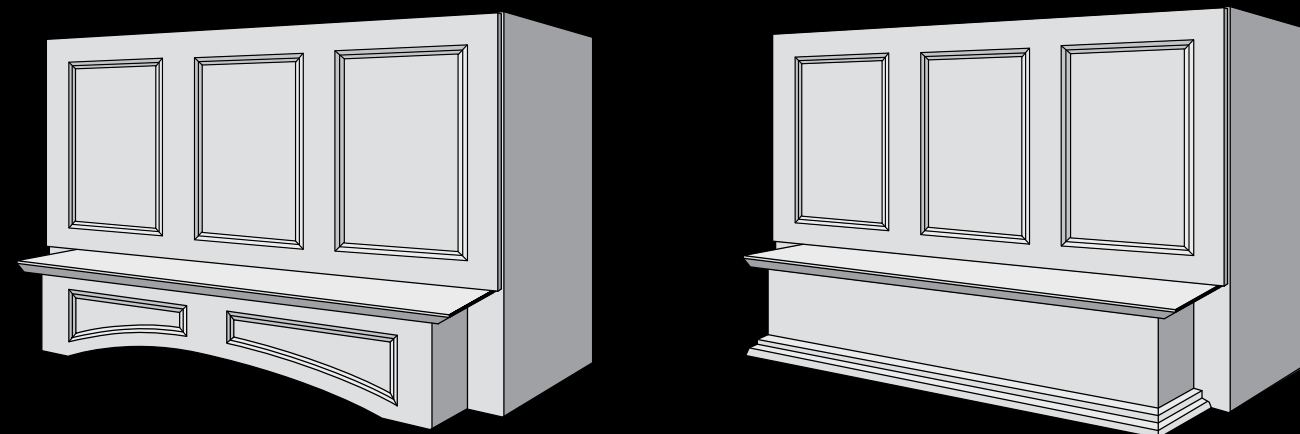


BEFORE → AFTER

Stain or paint the interior of the cabinet to match the outside color.

CUSTOM HOOD VALANCE

Modify hood valance



BEFORE → AFTER

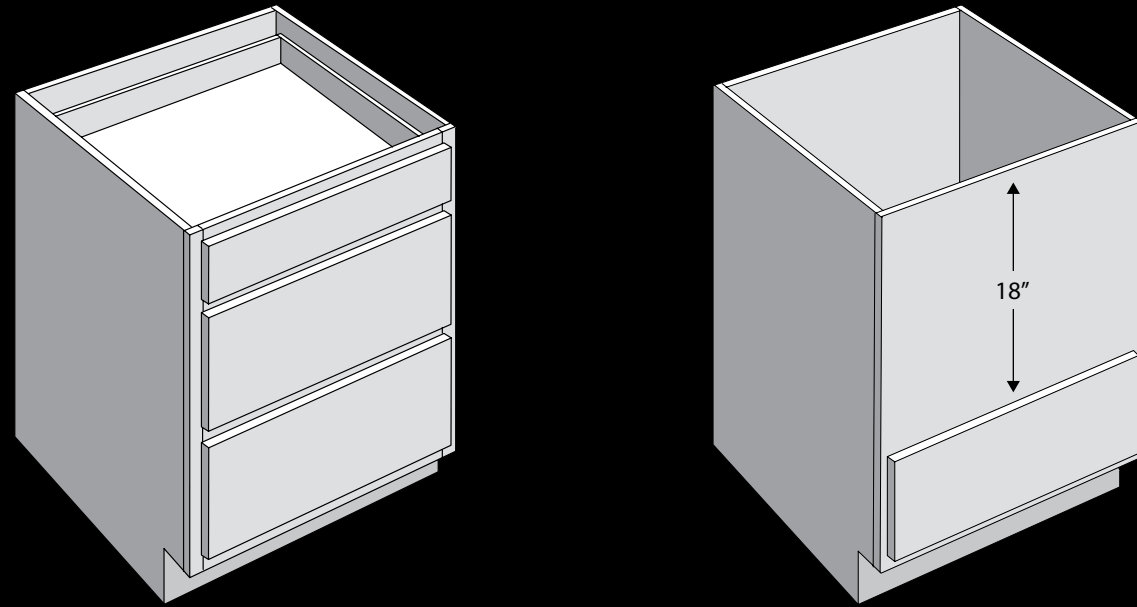
Fabuwood can modify a standard arched hood to a custom modern looking hood.

Note: Picture shown has to be a minimum of 27" high cut from the bottom.

M I C R O W A V E
B A S E 2 4 ”

Create BMC24

M A N Y M O R E M O D I F I C A T I O N S
A V A I L A B L E - P L E A S E C O N T A C T
Y O U R C U S T O M E R S E R V I C E R E P .



B E F O R E → A F T E R

A 24" drawer base is modified to create a 24" microwave base. First, the top two drawers are removed. A support shelf is built on top of the bottom drawer, and a full flat panel is applied to

the front, to be cut on job site to fit the microwave (depending on the size of the microwave).



99 Caven Point Road | Jersey City, NJ 07305 | T: (201) 432-6555 | F: (201) 432-6055 | www.fabuwood.com